



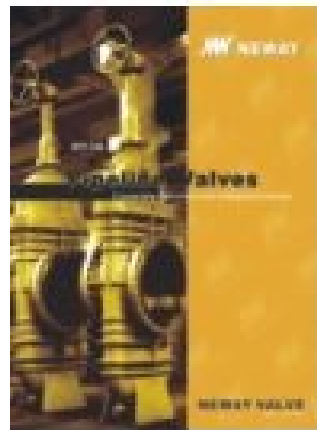
Cat.no.:E-PS



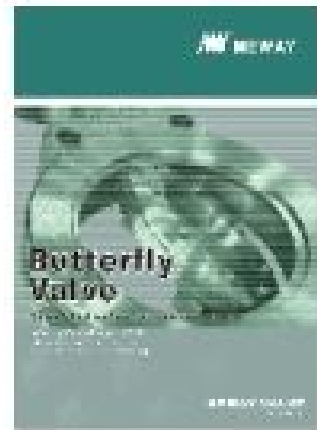
Cat.no.:E-GGC



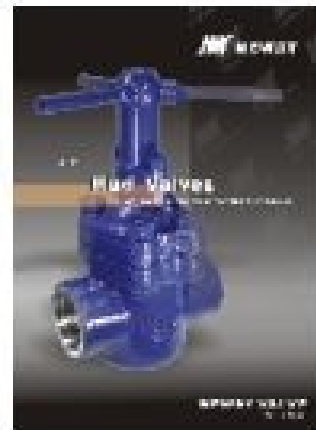
Cat.no.:E-BV



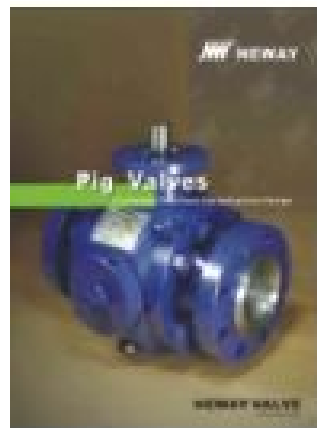
Cat.no.:E-PLV



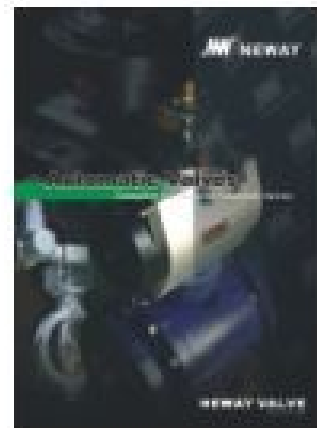
Cat.no.:E-BFV



Cat.no.:E-MV



Cat.no.:E-PV



Cat.no.:E-AV

NW NEWAY
NEWAY VALVE (SUZHOU) CO., LTD.

No.999 Xiangjiang Road, Suzhou New District, P.R. China
Post Code:215129
Tel: 86-512-666-51365
Fax: 86-512-666-51360
E-Mail: neway@neway.com.cn
<http://www.newayvalve.com>

Distributed by:

Cat.no.:E-FSV-2006

NW NEWAY

Forged Steel Valves

Complete Solutions for Engineered Valves



NEWAY VALVE

Cat.no.:E-FSV-2006

Table of Contents

Introduction

- 1 Quality Commitment
- 2-3 Products Views
- 4 How to Order

Forged Steel Gate Valve

- 5 Design Feature
- 6 G.A. Drawing
- 7-8 Dimensions

Forged Steel Globe Valve

- 9 Design Feature
- 10 G.A. Drawing
- 11-13 Dimensions

Forged Steel Check Valve

- 14 Design Feature
- 15 G.A. Drawing
- 16-18 Dimensions
- 19 G.A. Drawing & Dimensions of Swing Check Valve

Optional Design Feature



Complete Solutions for Industrial Valves

Being the largest industrial valve manufacturer in China, Neway has specialized in the manufacture and R&D of industrial valve, and improving the capacity of engineer solution and innovation, so that we can supply complete valve solutions for new pattern industries.

Neway main product lines include Gate, Globe, Check, Butterfly and Ball valves, the quality and the innovation capacity have been certified by many global end users and EPCs, and these products have been installed throughout the world, handling a wide various of applications in the oil, gas, refinery, chemistry, marine, power plant and pipeline transmit industries.

Neway Facilities

Neway established and implemented a group management based on the structure of multi-plants. Neway valves are manufactured in 6 specialized manufacturing plants, thereof 4 plants in China, and one each in Mexico & Saudi Arabia, all required castings are from Neway owned 2 specialized foundries. we have a total of over 1200 employees.

Neway setup an intranet consisting of over 400 computers, and running the most advanced R&D software including CAD, I-Deas, Pro-E, a number of CNC & machine center and warehouse bar code management system. We are one of the few manufacturers performing ERP manufacture management, in-house fire safe test, cryogenic test, hi-pressure gas test and low fugitive emission test.

Quality Assurance

Neway's quality assurance is dedicated in the pursuit of a zero defect valve to customers. Neway perform active 6sigma quality management to continually enhance the capacity of process control management based on advanced data statistical analysis. And Neway holds most main industrial certificates, including ISO 9001, CE/PED, TA-Luft, API 6A, API 6D, ABS, Fire Safe certificate.

Quality Commitment

Neway recognizes the importance of valve quality for the safety and protection of personnel health and property. It is our quality commitment to focus our resources to provide our customers with first class products at a competitive price, that are designed, manufactured, inspected and tested in accordance with our customer's specifications and that comply with all international standards.

With respect to the facts that the current industrial standards do not always take into consideration the likelihood and consequences of possible deterioration in service, related to specific service fluids or the external environment in which they operate. Our customers are requested to keep an open line of communication with our engineering department to identify and implement standards, that will provide valves with the possibility of deterioration in service, so as to ensure safety over the valves expected lifetime.



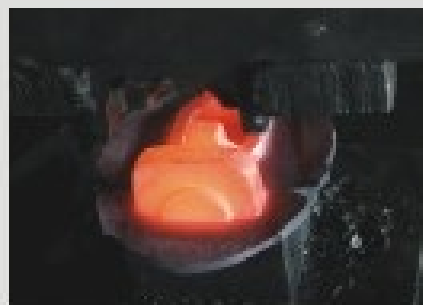
Products Views



Neway compact forged steel valve series consist of gate, globe and check valves. It is optimize designed by means of advanced FEA (Finite Element Analysis) in accordance with API 602, EN ISO 15761, and ANSI B16.34. This series are available in size from NPS 1/2" to 2" , and pressure classes include ANSI classes 800#, 1500# and 2500#. A wide range of body materials are also available including A105, LF2, F11/F22, F5/F9, F304, F316/Letc.

Bolted bonnet is a standard design of the series valve, threaded-and seal-welded bonnet or pressure-seal bonnet is optional. Full range of integral flanged ends gate, globe and check valves were also developed. Special feature like NACE MR0175 requirement for sour service can be available upon request.

Neway compact forged steel valve main components are all CNC machined so as to ensure continual constant high machining quality, and then assembled, tested, and packaged on two new integrated assembly lines in Neway's corporate headquarters plant. The daily production capacity of these two lines is in excess of 1000 units.



Products Views



How to Order

Figure Number Example:



New valve figure numbers are designed to cover essential features. When ordering, please show figure numbers to avoid misunderstanding of your requirements. However a detailed description must accompany any special orders.

Following descriptions provide a basic guideline in valve specification.

① Valve Size

② Valve Type

Valve Type	Gate Valve	Globe Valve	Y Type Globe Valve	Swing Check	Piston Check	Y Type Piston Check
Symbol	G	GL	GLY	S	P	PY

③ Valve Class

ANSI Class	150	300	600	800	900	1500	2500
Symbol	1	3	6	8	9	15	25

④ End Connection

End Connection	Socket Welding End	NPT Screwed End	Butt Welding End	Screwed × Socket	Raised Flange	RTJ Flange
Symbol	S	N	B	SN	R	J

⑤ Special Code

Description	Welding bonnet	RTJ Bonnet	Full Port	Electric Actuator	Pneumatic Actuator
Symbol	FW	J	FP	M	P

⑥ Body Materials

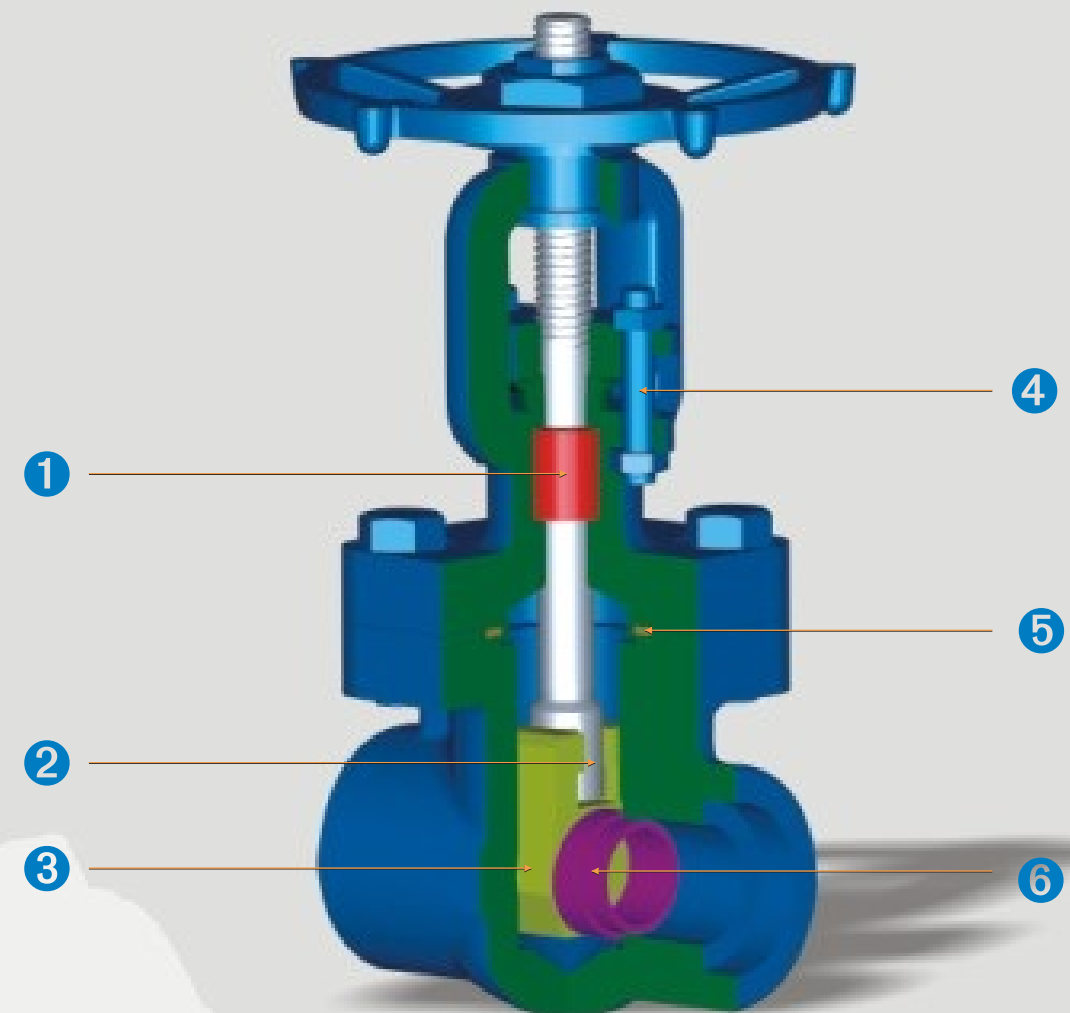
Body Materials	A105	LF2	F11	F22	F5	F316	F304	F316L	F304L
ASTM Ref.	A105N	A350 Gr.LF2	A182 Gr. F11	A182 Gr. F22	A182 Gr. F5	A182 Gr. F316	A182 Gr. F304	A182 Gr. F316L	A182 Gr. F304L

⑦ Trim Materials

Symbol	Disc Surface	Seat Surface	Stem Materials
No.1	13%Cr	13%Cr	ASTM A182 Grade F6a
No.2	18%Cr,8%Ni	18%Cr,8%Ni	ASTM A182 Grade F304
No.5	Stellite	Stellite	ASTM A182 Grade F6a
No.8	13%Cr	Stellite	ASTM A182 Grade F6a
No.9	Monel	Monel	Ni Cu Alloy Monel
No.10	18%Cr,8%Ni	18%Cr,8%Ni	ASTM A182 Grade F316
No.12	18%Cr,8%Ni	Stellite	ASTM A182 Grade F316
No.16	Stellite	Stellite	ASTM A182 Grade F316

Forged Steel Gate Valve

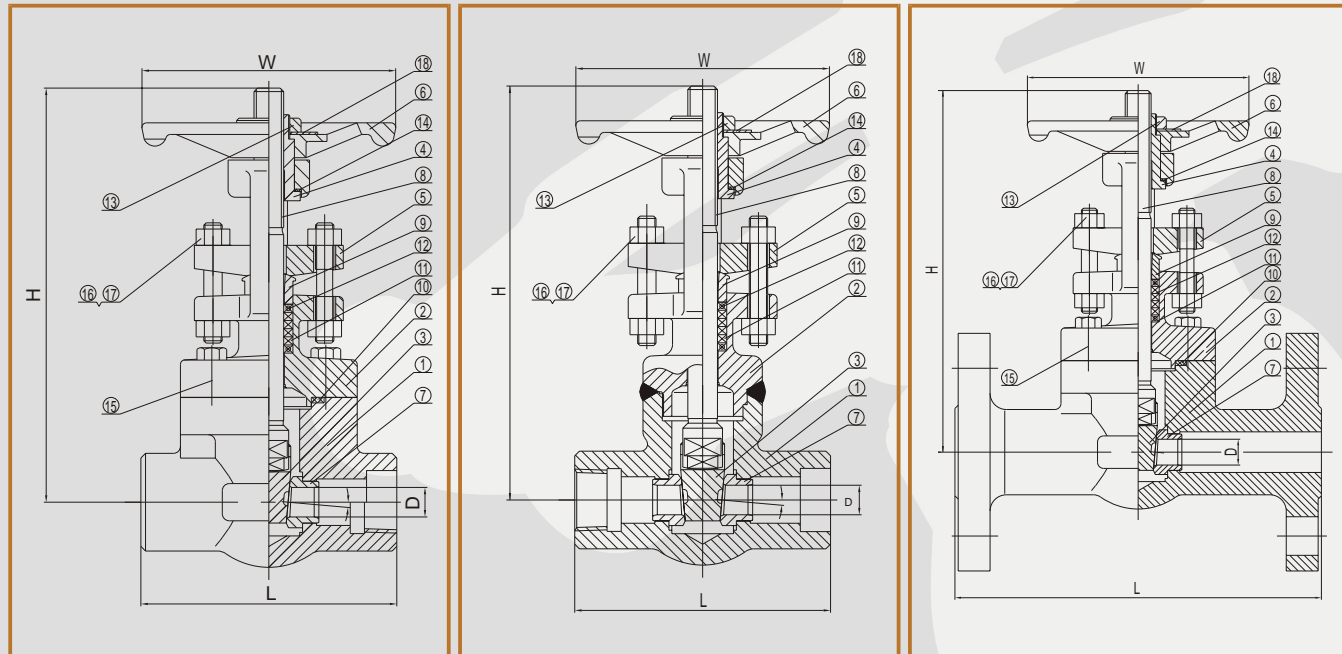
Design Features



- ① Safe and tight stem seal by means of positive back seat and long life leak proof stuffing box design.
- ② The T-head connect of stem and disc assuring easy seating operation.
- ③ Solid fully guided wedge reducing wear on seating surfaces.
- ④ Gland eyebolts facilitating packing maintenance.
- ⑤ Leak proof Body-Bonnet Joint Cavity to eliminate the unwinding of the SS spiral metal.
- ⑥ Rolled-in seat to assure tight and effective seating.

Forged Steel Gate Valve

G.A. Drawing



Bolted Bonnet

Welded Bonnet

Integral Flanged Ends

Material List

NO.	Description of Parts	Material		
		Standard	High Temperature	Stainless Steel
1	BODY	ASTM A105	ASTM A182-F11/F22	ASTM A182-F304/F316
2	BONNET	ASTM A105	ASTM A182-F11/F22	ASTM A182-F304/F316
3	WEDGE	ASTM A105/ER410 OVERLAY	ASTM A182-F6a	ASTM A182-F304/F316/STL. OVERLAY
4	STEM NUT	ASTM A276-420	ASTM A276-420	ASTM A276-420
5	GLAND FLANGE	ASTM A105	ASTM A216-WCB	ASTM A351-CF8
6	HANDWHEEL	DUCTILE IRON	DUCTILE IRON	DUCTILE IRON
7	SEAT RING	ASTM A105/STL.OVERLAY	ASTM A276-410/STL.OVERLAY	ASTM A182-F304/F316
8	STEM	ASTM A182-F6a	ASTM A182-F6a	ASTM A182-F304/F316
9	GLAND	ASTM A276-420	ASTM A276-420	ASTM A276-304/316
10	GASKET	304SS/SPIRAL WOUND GRAPHITE	304SS/SPIRAL WOUND GRAPHITE	304/316SS/SPIRAL WOUND GRAPHITE
11	PACKING	GRAPHITE	GRAPHITE	GRAPHITE
12	PACKING	CARBON YARN	CARBON YARN	CARBON YARN
13	HANDWHEEL NUT	CARBON STEEL	CARBON STEEL	ASTM A276-304
14	WASHER	ASTM A276-304	ASTM A276-304	ASTM A276-304
15	STUD	ASTM A193-B7	ASTM A193-B16	ASTM A193-B8
16	BOLT	ASTM A193-B8	ASTM A193-B8	ASTM A193-B8
17	NUT	ASTM A194-8	ASTM A194-8	ASTM A194-8
18	NAME PLATE	ASTM A240-304	ASTM A240-304	ASTM A240-304

Forged Steel Gate Valve

Dimensions

Class 800 Bolted Bonnet or Welded Bonnet

Regular and Full Port - API602 - ENISO 15761. Outside Screw & Yoke - Threaded and Socket Weld Ends

Regular Port	Size	3/8"	1/2"	3/4"	1"	1-1/4"	1-1/2"	2"	-	
Full Port	Size	1/4"	3/8"	1/2"	3/4"	1"	1-1/4"	1-1/2"	2"	
End to End	L	mm	in.	mm	in.	mm	in.	mm	in.	
		76	2.99	76	2.99	86	3.39	102	4.02	
		118	4.65	118	4.65	132	5.2	178	7.01	
Dia. of Port	D	6.4	0.25	9.5	0.37	12.7	0.5	17.5	0.69	
		23.8	0.94	28.6	1.13	36.5	1.44	44.5	1.75	
Center to Top (Open)	H	Bolted Bonnet	146	5.75	146	5.75	152	5.98	180	7.09
		Welded Bonnet	157.3	6.2	157.3	6.2	165.3	6.5	192.2	7.6
			271.8	10.7	277.3	10.9	293.3	11.5	-	-
Handwheel	W	90	3.54	90	3.54	90	3.54	110	4.33	
		150	5.91	150	5.91	150	5.91	180	7.09	
Approx. Weight	Kg/Lb	1.5	3.3	1.5	3.3	2	4.5	3	6.5	
		4	9	5.5	12	7.5	16.5	10.5	23	

Class 1500 Bolted Bonnet or Welded Bonnet

Regular and Full Port - API602 - ENISO 15761. Outside Screw & Yoke - Threaded and Socket Weld Ends

Regular Port	Size	3/8"	1/2"	3/4"	1"	1-1/4"	1-1/2"	2"	-	
Full Port	Size	1/4"	3/8"	1/2"	3/4"	1"	1-1/4"	1-1/2"	2"	
End to End	L	mm	in.	mm	in.	mm	in.	mm	in.	
		90	3.54	90	3.54	104	4.1	120	4.72	
		130	5.12	130	5.12	150	5.91	210	8.27	
Dia. of Port	D	6.4	0.25	9.5	0.37	12.7	0.5	16	0.63	
		22.5	0.89	27	1.06	35	1.38	38.1	1.5	
Center to Top (Open)	H	Bolted Bonnet	163	6.42	163	6.42	190	7.48	225	8.86
		Welded Bonnet	177.2	7	177.2	7	205.5	8.1	239.8	9.4
			270.8	10.7	275.8	10.9	325.3	12.8	-	-
Handwheel	W	90	3.54	90	3.54	110	4.33	150	5.91	
		150	5.91	150	5.91	150	5.91	180	7.08	
Approx. Weight	Kg/Lb	2.5	5.5	2.5	5.5	3.5	7.7	5.5	12.1	
		8.5	18.7	8.5	18.7	14.5	31.9	20	44	

Class 1500 RTJ Bonnet

Full Port - EN ISO 15761. Outside Screw & Yoke - Threaded and Socket Weld Ends

Full Port	Size	1/4"	3/8"	1/2"	3/4"	1"	1-1/4"	1-1/2"	2"
End to End	L	mm	in.	mm	in.	mm	in.	mm	in.
		-	-	110	4.33	150	5.9	150	5.9
		-	-	-	-	-	-	210	8.26
Dia. of Port	D	-	-	14	0.55	19	0.75	24	0.94
		-	-	-	-	-	-	37	1.45
Center to Top (Open)	H	-	-	227	8.93	300	11.8	307	12
		-	-	-	-	-	-	400	15.7
Handwheel	W	-	-	110	4.33	150	5.91	150	5.91
		-	-	-	-	-	-	180	7.08
Approx. Weight	Kg/Lb	-	-	5	11	10	22	11.5	25.3
		-	-	-	-	-	-	22	48.4
		-	-	-	-	-	-	37	81.5

Class 2500 Welded Bonnet

Full Port - B16.34. Outside Screw & Yoke - Threaded and Socket Weld Ends

Full Port	Size	1/4"	3/8"	1/2"	3/4"	1"	1-1/4"	1-1/2"	2"
End to End	L	mm	in.	mm	in.	mm	in.	mm	in.
		-	-	127	5	127	5	127	5
		-	-	-	-	-	-	235	9.25
Dia. of Port	D	-	-	14	0.55	19	0.75	24	0.94
		-	-	-	-	-	-	37	1.45
Center to Top (Open)	H	-	-	214	8.42	239	9.4	253	9.96
		-	-	-	-	-	-	425	16.7
Handwheel	W	-	-	130	5.12	130	5.12	130	5.12
		-	-	-	-	-	-	250	9.84
Approx. Weight	Kg/Lb	-	-	6	13.2	7	15.4	10	22
		-	-	-	-	-	-	26	57.3
		-	-	-	-	-	-	26	57.3

Forged Steel Gate Valve

Dimensions

Class 2500 RTJ Bonnet

Full Port - B16.34. Outside Screw & Yoke - Threaded and Socket Weld Ends

Full Port	Size	1/4"		3/8"		1/2"		3/4"		1"		1-1/4"		1-1/2"		2"	
		mm	in.	mm	in.	mm	in.	mm	in.	mm	in.	mm	in.	mm	in.	mm	in.
End to End	L	-	-	-	-	150	5.9	150	5.9	210	8.26	-	-	235	9.25	235	9.25
Dia. of Port	D	-	-	-	-	14	0.55	19	0.75	24	0.94	-	-	36.5	1.44	36.5	1.44
Center to Top (Open)	H	-	-	-	-	293	11.5	300	11.8	390	15.4	-	-	429	16.89	429	16.89
Handwheel	W	-	-	-	-	130	5.12	130	5.12	200	7.87	-	-	250	9.84	250	9.84
Approx. Weight	Kg/Lb	-	-	-	-	10	22	10	22	22	48.4	-	-	34	74.8	34	74.8

Class 150-300-600 Bolted Bonnet & Integral Flanged Ends

Regular Port - API602 - EN ISO 15761. Outside Screw & Yoke - Integral Flanged Ends according to ASME B 16.5

Regular Port	Size	1/2"		3/4"		1"		1-1/2"		2"		
		mm	in.	mm	in.	mm	in.	mm	in.	mm	in.	
End to End	Class 150	L	108	4.25	117	4.62	127	5	165	6.5	178	7
	Class 300	L	140	5.5	152	6	165	6.5	190	7.5	216	8.5
	Class 600	L	165	6.5	190	7.5	216	8.5	241	9.5	292	11.5
Dia. of Port	D	9.5	0.37	12.7	0.5	17.5	0.69	28.6	1.13	36.5	1.44	
Center to Top (Open)	H	146	5.75	152	5.98	180	7.09	247	9.72	269	10.6	
Handwheel	W	90	3.54	90	3.54	110	4.33	150	5.91	150	5.91	
Approx. Weight	Class 150	Kg/Lb	3	6.6	3.8	8.3	4.8	10.6	10	22	15	33
	Class 300	Kg/Lb	3.4	7.5	4.5	9.9	5.7	12.5	11.5	25.3	17	37.4
	Class 600	Kg/Lb	4	8.8	5.2	11.4	6.6	14.5	12.7	28	18	39.6

End to End dimensions according to ASME B 16.10

Class 1500 RTJ Bonnet & Integral Flanged Ends

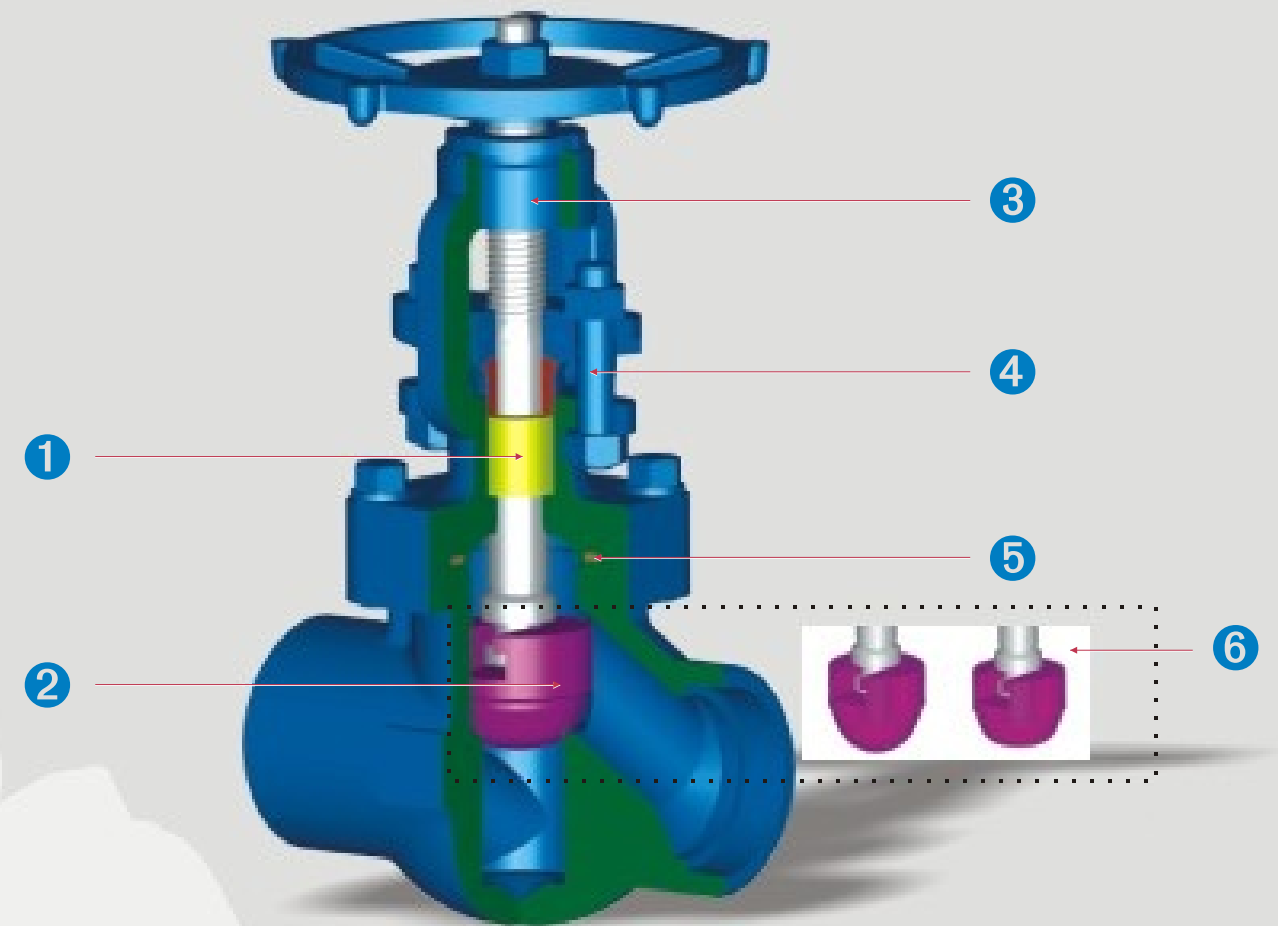
Full Port - API602 - EN ISO 15761. Outside Screw & Yoke - Integral Flanged Ends according to ASME B 16.5

Full Port	Size	1/2"		3/4"		1"		1-1/2"		2"	
		mm	in.	mm	in.	mm	in.	mm	in.	mm	in.
End to End	L	-	-	-	-	254	10	305	12	368	14.5
Dia. of Port	D	-	-	-	-	24	0.94	37	1.45	48	1.89
Center to Top (Open)	H	-	-	-	-	300	11.8	390	15.3	420	16.5
Handwheel	W	-	-	-	-	150	5.91	150	5.91	200	7.87
Approx. Weight	Kg/Lb	-	-	-	-	19	41.8	28	61.6	31	68.2

End to End dimensions according to ASME B 16.10

Forged Steel Globe Valve

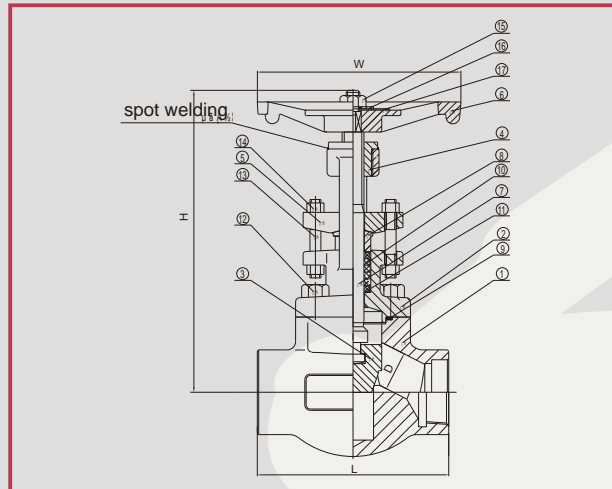
Design Features



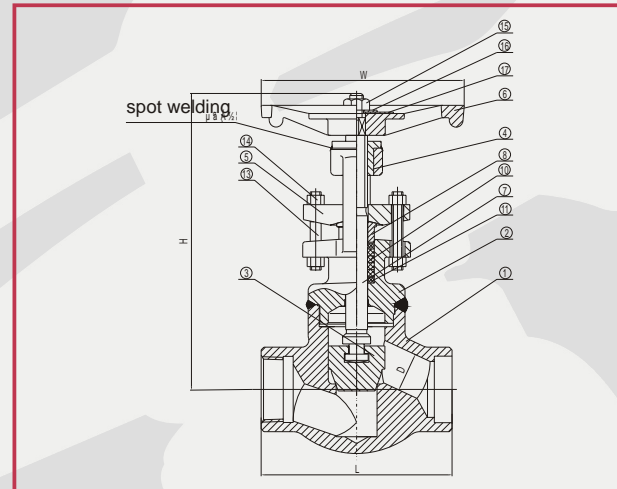
- 1 Safe and tight stem seal by means of positive backseat and long-life leak proof stuffing box design.
- 2 Solid body guided disc assuring perfect alignment of disc and seat and reducing wear on seating surface.
- 3 Long thread stem nut providing long thread life and permitting the removal of hand wheel even at full open.
- 4 Gland eyebolts facilitating packing maintenance
- 5 Leak proof body-bonnet Joint Caving eliminating the unwinding of the SS spiral metal.
- 6 plug disc is standard design, Optional plate, needle, ball or parabolic disc is available upon request.

Forged Steel Globe Valve

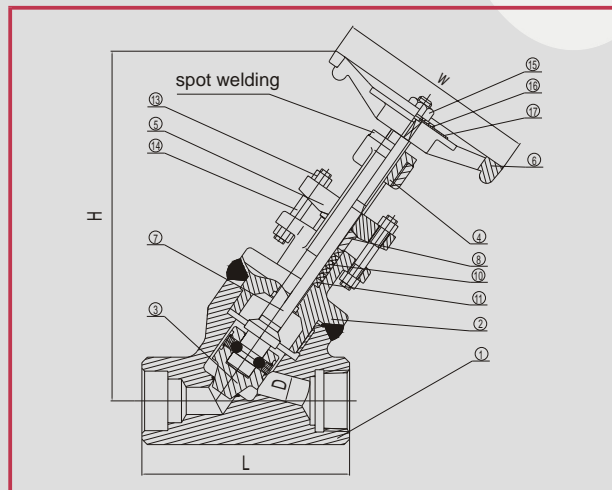
G.A. Drawing



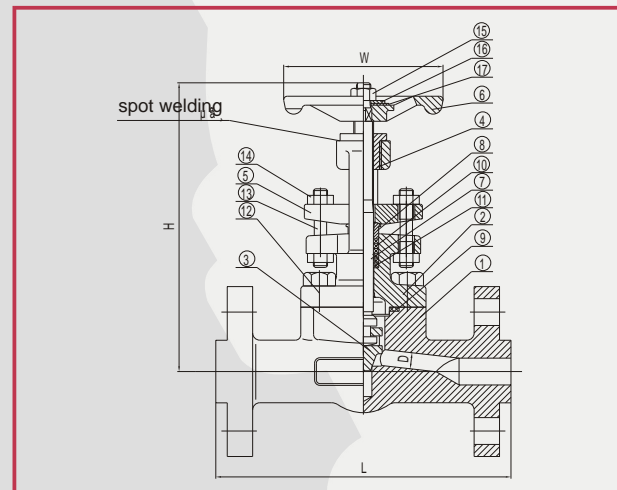
Bolted Bonnet



Welded Bonnet



Y Pattern Welded Bonnet



Integral Flanged Ends

Material List

NO.	Description of Parts	Material		
		Standard	High Temperature	Stainless Steel
1	BODY	ASTM A105/STL.OVERLAY	ASTM A182-F11/F22/STL OVERLAY	ASTM A182-F304/F316/STL OVERLAY
2	BONNET	ASTM A105	ASTM A182-F11/F22	ASTM A182-F304/F316
3	DISC	ASTM A182-F6a	ASTM A182-F6a	ASTM A182-F304/F316
4	STEM NUT	ASTM A276-420	ASTM A276-420	ASTM A276-420
5	GLAND FLANGE	ASTM A105	ASTM A216-WCB	ASTM A351-CF8
6	HAND WHEEL	DUCTILE IRON	DUCTILE IRON	DUCTILE IRON
7	STEM	ASTM A182-F6a	ASTM A182-F6a	ASTM A182-F304/F316
8	GLAND	ASTM A276-420	ASTM A276-420	ASTM A276-304/316
9	GASKET	304SS/SPIRAL WOUND GRAPHITE	304SS/SPIRAL WOUND GRAPHITE	304/316SS/SPIRAL WOUND GRAPHITE
10	PACKING	GRAPHITE	GRAPHITE	GRAPHITE
11	PACKING	CARBON YARN	CARBON YARN	CARBON YARN
12	STUD	ASTM A193-B7	ASTM A193-B16	ASTM A193-B8

Forged Steel Globe Valve

Dimensions

Material List

NO.	Description of Parts	Material		
		Standard	High Temperature	Stainless Steel
13	BOLT	ASTM A193-B8	ASTM A193-B8	ASTM A193-B8
14	NUT	ASTM A194-8	ASTM A194-8	ASTM A194-8
15	HANDWHEEL NUT	CARBON STEEL	CARBON STEEL	ASTM A276-304
16	HANDWHEEL WASHER	CARBON STEEL	CARBON STEEL	ASTM A276-304
17	NAME PLATE	ASTM A240-304	ASTM A240-304	ASTM A240-304

Class 800 Bolted Bonnet or Welded Bonnet

Regular and Full Port - ENISO 15761 .Outside Screw & Yoke - Threaded and Socket Weld Ends

Regular Port	Size	3/8"		1/2"		3/4"		1"		1-1/4"		1-1/2"		2"		-		
		mm	in.	mm	in.	mm	in.	mm	in.	mm	in.	mm	in.	mm	in.	mm	in.	
Full Port	Size	1/4"		3/8"		1/2"		3/4"		1"		1-1/4"		1-1/2"		2"		
End to End	L	76	2.99	76	2.99	86	3.39	102	4.02	140	5.51	140	5.51	170	6.7	210	8.26	
Dia. of Port	D	6.4	0.25	9.5	0.37	12.7	0.5	17.5	0.69	23.8	0.94	28.6	1.13	36.5	1.44	44.5	1.75	
Center to Top (Open)	H	Bolted Bonnet	136.3	5.4	136.3	5.4	141.3	5.6	174.3	6.9	213.4	8.4	213.9	8.4	274.9	10.8	-	-
		Welded Bonnet	151.3	6	151.3	6	166.3	6.5	206.3	8.1	272.3	10.7	281.3	11.1	350.2	13.8	-	-
Handwheel	W	90	3.54	90	3.54	90	3.54	110	4.33	150	5.91	150	5.91	150	5.91	180	7.09	
Approx. Weight	Kg/Lb	2	4.4	2	4.4	2.5	5.5	3.5	7.7	7	15.4	7	15.4	10.5	23.1	15	33	

Class 800 Y Pattern Welded Bonnet

Full Port - EN ISO 15761.Outside Screw & Yoke - Threaded and Socket Weld Ends

Full Port	Size	1/4"		3/8"		1/2"		3/4"		1"		1-1/4"		1-1/2"		2"	
		mm	in.	mm	in.	mm	in.	mm	in.	mm	in.	mm	in.	mm	in.	mm	in.
End to End	L	-	-	80	3.15	80	3.15	90	3.54	110	4.33	125	4.92	155	6.1	180	7.09
Dia. of Port	D	-	-	9.5	0.37	12	0.47	17	0.67	23	0.86	29	1.14	36	1.42	44	1.73
Center to Top (Open)	H	-	-	154	6.06	154	6.06	184	7.24	231	9.1	236	9.3	268	10.55	310	12.2
Handwheel	W	-	-	90	3.54	90	3.54	110	4.33	150	5.91	150	5.91	150	5.91	180	7.09
Approx. Weight	Kg/Lb	-	-	2	4.4	2	4.4	3	6.6	4.2	9.24	5.2	11.4	9.5	20.9	11	24.2

Class 1500 Bolted Bonnet or Welded Bonnet

Regular and Full Port - ENISO 15761 .Outside Screw & Yoke - Threaded and Socket Weld Ends

Regular Port	Size	3/8"		1/2"		3/4"		1"		1-1/4"		1-1/2"		2"		2-1/2"		
		mm	in.	mm	in.	mm	in.	mm	in.	mm	in.	mm	in.	mm	in.	mm	in.	
Full Port	Size	1/4"		3/8"		1/2"		3/4"		1"		1-1/4"		1-1/2"		2"		
End to End	L	90	3.54	90	3.54	104	4.09	120	4.72	150	5.91	150	5.91	180	7.09	210	8.62	
Dia. of Port	D	6	0.24	9	0.35	12	0.47	15	0.59	21	0.83	27	1.06	32	1.26	37.5	1.48	
Center to Top (Open)	H	Bolted Bonnet	166	6.54	166	6.54	192	7.56	227	8.94	280	11.00	280	11.00	312	12.30	316	12.40
		Welded Bonnet	179.7	7.1	179.7	7.1	207.2	8.2	239.7	9.4	281.8	11.1	285.8	11.3	316.3	12.5	-	-
Handwheel	W	90	3.54	90	3.54	110	4.33	150	5.90	150	5.90	180	7.09	180	7.09	180	7.09	
Approx. Weight	Kg/Lb	2.5	5.5	2.5	5.5	3	6.6	5.5	12.1	8.5	18.7	8.5	18.7	14.5	31.9	18	39.6	

Forged Steel Globe Valve

Dimensions

Class 1500 RTJ Bonnet

Full Port - EN ISO 15761. Outside Screw & Yoke - Threaded and Socket Weld Ends

Full Port	Size	1/4"		3/8"		1/2"		3/4"		1"		1-1/4"		1-1/2"		2"	
		mm	in.	mm	in.	mm	in.	mm	in.	mm	in.	mm	in.	mm	in.	mm	in.
End to End	L	-	-	-	-	110	4.33	150	5.9	150	5.9	-	-	210	8.26	235	9.25
Dia. of Port	D	-	-	-	-	13	0.51	17	0.67	21	0.83	-	-	33	1.3	37.5	1.48
Center to Top (Open)	H	-	-	-	-	235	9.25	265	10.4	310	12.2	-	-	370	14.5	435	17.1
Handwheel	W	-	-	-	-	110	4.33	130	5.11	130	5.11	-	-	180	7.09	180	7.09
Approx. Weight	Kg/Lb	-	-	-	-	5	11	11	24.2	12	26.4	-	-	22	48.4	37	81.5

Class 1500 Y Pattern Welded Bonnet

Full Port - EN ISO 15761. Outside Screw & Yoke - Threaded and Socket Weld Ends

Full Port	Size	1/4"		3/8"		1/2"		3/4"		1"		1-1/4"		1-1/2"		2"	
		mm	in.	mm	in.	mm	in.	mm	in.	mm	in.	mm	in.	mm	in.	mm	in.
End to End	L	80	3.15	80	3.15	90	3.54	110	4.33	125	4.92	155	6.10	180	7.09	180	7.09
Dia. of Port	D	7	0.27	9	0.35	12	0.47	15	0.59	21	0.83	27	1.06	32	1.26	39	1.53
Center to Top (Open)	H	152	5.98	152	5.98	182	7.17	226	8.90	234	9.21	276	10.90	300	11.80	362	14.30
Handwheel	W	90	3.54	90	3.54	110	4.33	150	5.90	150	5.90	180	7.08	180	7.08	180	7.08
Approx. Weight	Kg/Lb	2	4.4	2	4.4	3	6.6	4.2	9.2	5.2	11.4	9.5	20.9	11	24.2	15	33

Class 2500 Welded Bonnet

Full Port - B16.34. Outside Screw & Yoke - Threaded and Socket Weld Ends

Full Port	Size	1/4"		3/8"		1/2"		3/4"		1"		1-1/4"		1-1/2"		2"	
		mm	in.	mm	in.	mm	in.	mm	in.	mm	in.	mm	in.	mm	in.	mm	in.
End to End	L	-	-	-	-	127	5	155	6.1	170	6.69	-	-	235	9.25	235	9.25
Dia. of Port	D	-	-	-	-	13	0.51	17	0.67	21	0.83	-	-	29.5	1.16	35	1.37
Center to Top (Open)	H	-	-	-	-	237	9.33	242	9.52	256	10.1	-	-	430	16.9	435	17.1
Handwheel	W	-	-	-	-	130	5.12	130	5.12	130	5.12	-	-	250	9.84	250	9.84
Approx. Weight	Kg/Lb	-	-	-	-	7	15.4	9	19.8	12.5	27.5	-	-	26	57.2	27	59.4

Class 2500 RTJ Bonnet

Full Port - B16.34. Outside Screw & Yoke - Threaded and Socket Weld Ends

Full Port	Size	1/4"		3/8"		1/2"		3/4"		1"		1-1/4"		1-1/2"		2"	
		mm	in.	mm	in.	mm	in.	mm	in.	mm	in.	mm	in.	mm	in.	mm	in.
End to End	L	-	-	-	-	150	5.9	150	5.9	210	8.26	-	-	235	9.25	235	9.25
Dia. of Port	D	-	-	-	-	13	0.51	17	0.67	21	0.83	-	-	29.5	1.16	35	1.37
Center to Top (Open)	H	-	-	-	-	265	10.4	265	10.4	360	14.1	-	-	430	16.9	435	17.1
Handwheel	W	-	-	-	-	130	5.12	130	5.12	250	9.84	-	-	300	11.8	300	11.8
Approx. Weight	Kg/Lb	-	-	-	-	10	22	10	22	20	44	-	-	34	74.8	34	74.8

Forged Steel Globe Valve

Dimensions

Class 2500 Y Pattern Welded Bonnet

Full Port - B16.34. Outside Screw & Yoke - Threaded and Socket Weld Ends

Full Port	Size	1/4"		3/8"		1/2"		3/4"		1"		1-1/4"		1-1/2"		2"	
		mm	in.	mm	in.	mm	in.	mm	in.	mm	in.	mm	in.	mm	in.	mm	in.
End to End	L	127	5.00	127	5.00	127	5.00	127	5.00	155	6.10	155	6.10	180	7.08	225	8.86
Dia. of Port	D	7	0.27	9	0.35	11	0.43	15	0.59	19.5	0.76	27.5	1.08	31.5	1.24	39.5	1.55
Center to Top (Open)	H	280	11.02	280	11.02	280	11.02	280	11.02	350	13.77	370	14.56	420	16.53	453	17.83
Handwheel	W	130	5.11	130	5.11	130	5.11	130	5.11	180	7.08	180	7.08	180	7.08	400	15.75
Approx. Weight	Kg/Lb	4.5	9.9	4.5	9.9	4.5	9.9	7	15.4	7.5	16.5	10	22	14.5	31.9	24	52.8

Class 150-300-600 Bolted Bonnet & Integral Flanged Ends

Regular Port - EN ISO 15761. Outside Screw & Yoke - Integral Flanged Ends according to ASME B 16.5

Regular Port	Size	1/2"		3/4"		1"		1-1/2"		2"		
		mm	in.	mm	in.	mm	in.	mm	in.	mm	in.	
End to End	Class 150	L	108	4.25	117	4.62	127	5	165	6.5	203	8
	Class 300	L	152	6	178	7	203	8	229	9	267	10.5
	Class 600	L	165	6.5	190	7.5	261	8.5	241	9.5	292	11.5
Dia. of Port	D	9.5	0.37	12.7	0.5	17.5	0.69	28.6	1.13	36.5	1.44	
Center to Top (Open)	H	145	5.71	150	5.91	187.5	7.17	223	8.78	263	10.35	
Handwheel	W	90	3.54	90	3.54	110	4.33	150	5.91	150	5.91	
Approx. Weight	Class 150	Kg/Lb	3.5	7.7	4.3	9.5	5.3	11.7	12	26.4	16	35.2
	Class 300	Kg/Lb	4	8.8	4.8	10.6	6.2	13.6	13.5	29.7	18	39.6
	Class 600	Kg/Lb	4.5	9.9	5.5	12.1	7	15.4	15	33	20	44

End to End dimensions according to ASME B 16.10

Class 1500 RTJ Bonnet & Integral Flanged Ends

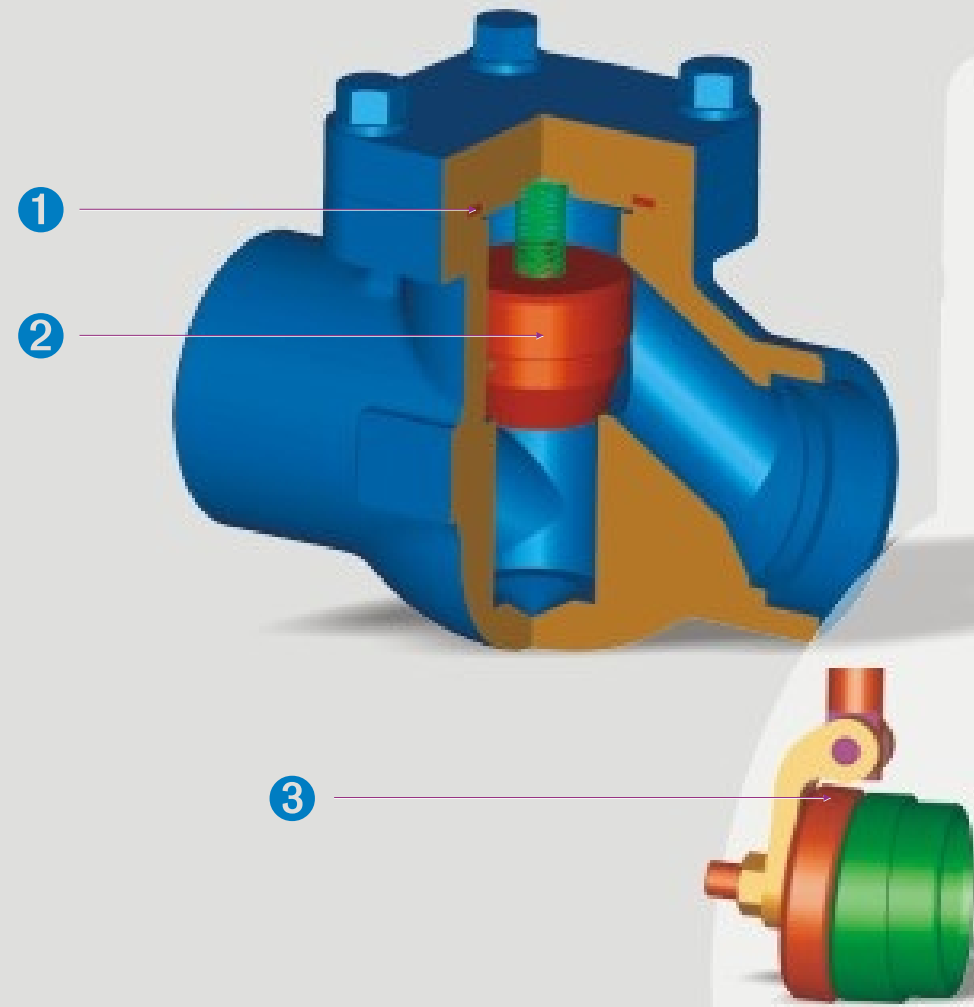
Full Port - EN ISO 15761. Outside Screw & Yoke - Integral Flanged Ends according to ASME B 16.5

Full Port	Size	1/2"		3/4"		1"		1-1/2"		2"	
		mm	in.	mm	in.	mm	in.	mm	in.	mm	in.
End to End	L	216	8.5	229	9	254	10	305	12	368	14.5
Dia. of Port	D	13	0.51	17	0.67	21	0.83	33	1.30	37.5	1.48
Center to Top (Open)	H	260	10.2	300	11.8	300	11.8	390	15.3	420	16.5
Handwheel	W	110	4.33	110	4.33	150	5.90	200	7.87	250	9.84
Approx. Weight	Kg/Lb	9	19.8	10	22	19	41.8	28	61.6	32	70.4

End to End dimensions according to ASME B 16.10

Forged Steel Check Valve

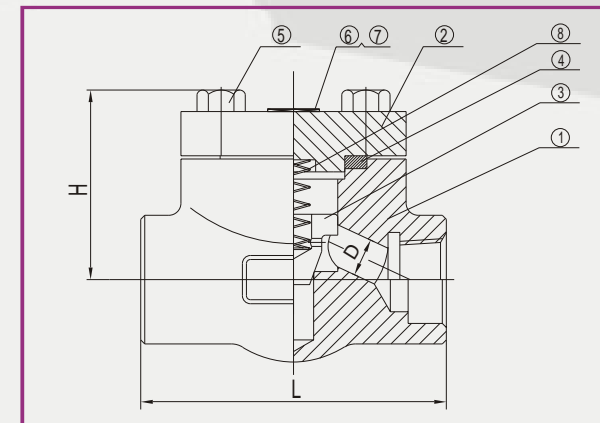
Design Features



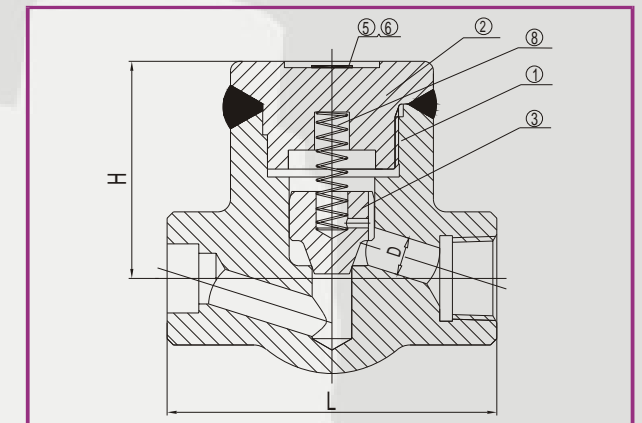
- 1 Leak proof body-bonnet joint casting to eliminate the unwinding of the SS spiral metal.
- 2 Body guided disc to assure perfect alignment of disc and seat even at large flow velocities.
- 3 Swing Disc is Optional, While T-Pattern Piston Valve is available upon request.

Forged Steel Check Valve

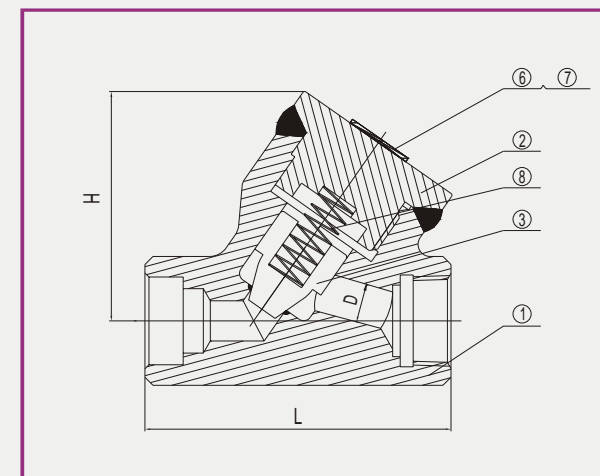
G.A. Drawing of Piston Valve



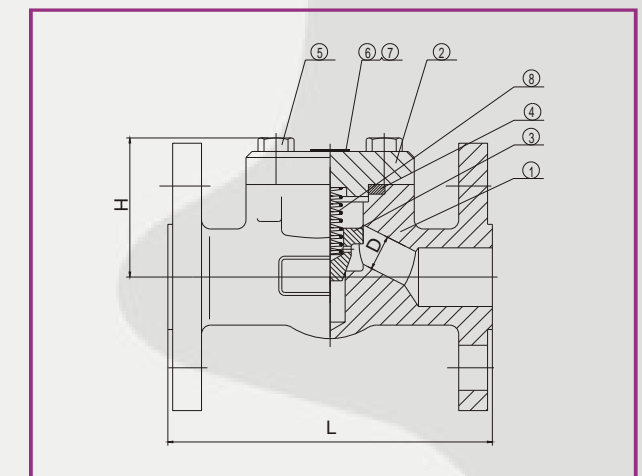
Bolted Cover



Welded Cover



Y Pattern Welded Cover



Integral Flanged Ends

Material List

NO.	Description of Parts	Material		
		Standard	High Temperature	Stainless Steel
1	BODY	ASTM A105/STL OVERLAY	ASTM A182-F11/F22/STL OVERLAY	ASTM A182-F304/F316/STL OVERLAY
2	BONNET	ASTM A105	ASTM A182-F11/F22	ASTM A182-F304/F316
3	DISC	ASTM A182-F6a	ASTM A182-F6a	ASTM A182-F304/F316
4	GASKET	304SS/SPIRAL WOUND GRAPHITE	304SS/SPIRAL WOUND GRAPHITE	304/316SS/SPIRAL WOUND GRAPHITE
5	STUD	ASTM A193-B7	ASTM A193-B16	ASTM A193-B8
6	RIVET	ASTM A276-304	ASTM A276-304	ASTM A276-304
7	NAME PLATE	ASTM A240-304	ASTM A240-304	ASTM A240-304
8	SPRING	ASTM A276-304	ASTM A276-304	ASTM A276-304

Forged Steel Check Valve

Dimensions of Piston Valve

Class 800 Piston Type Bolted Cover or Welded Cover

Regular and Full Port - EN ISO 15761. Bolted Cover or Welded Cover - Threaded and Socket Weld Ends

Regular Port	Size	3/8"		1/2"		3/4"		1"		1-1/4"		1-1/2"		2"		-		
Full Port	Size	1/4"		3/8"		1/2"		3/4"		1"		1-1/4"		1-1/2"		2"		
End to End	L	mm	in.	mm	in.	mm	in.	mm	in.	mm	in.	mm	in.	mm	in.	mm	in.	
		76	2.99	76	2.99	86	3.39	102	4.02	140	5.51	140	5.51	170	6.69	210	8.26	
Dia. of Port	D	6.4	0.25	9.5	0.37	12.7	0.5	17.5	0.69	23.8	0.94	28.6	1.13	36.5	1.44	44.5	1.75	
Center to Top (Open)	H	Bolted Bonnet	42	1.65	42	1.65	47	1.85	56	2.2	68	2.68	68	2.68	87	3.43	100	3.94
		Welded Bonnet	-	-	49	1.9	59	2.3	70.5	2.8	96	3.8	96	3.8	125.5	4.9	-	-
Approx. Weight	Kg/Lb	1	2.2	1	2.2	1.5	3.3	2.5	5.5	4	8.8	4	8.8	7.5	16.5	11	24.2	

Class 800 Y Pattern Welded Cover

Full Port - EN ISO 15761. Welded Cover - Threaded and Socket Weld Ends

Full Port	Size	1/4"		3/8"		1/2"		3/4"		1"		1-1/4"		1-1/2"		2"		
End to End	L	mm	in.	mm	in.	mm	in.	mm	in.	mm	in.	mm	in.	mm	in.	mm	in.	
		-	-	80	3.15	80	3.15	90	3.54	110	4.33	125	4.92	155	6.1	180	7.09	
Dia. of Port	D	-	-	9.5	0.37	12	0.47	17	0.67	23	0.91	29	1.147	36	1.42	44	1.73	
Center to Top (Open)	H	-	-	63	2.48	63	2.48	70	2.76	83	3.27	87	3.43	106	4.17	125	4.92	
Approx. Weight	Kg/Lb	-	-	1.5	3.3	1.5	3.3	2	4.4	4.5	9.9	5	11	8	17.6	11	24.2	

Class 1500 Piston Type Bolted Cover or Welded Cover

Regular and Full Port - EN ISO 15761. Bolted Cover or Welded Cover - Threaded and Socket Weld Ends

Regular Port	Size	3/8"		1/2"		3/4"		1"		1-1/4"		1-1/2"		2"		2-1/2"		
Full Port	Size	1/4"		3/8"		1/2"		3/4"		1"		1-1/4"		1-1/2"		2"		
End to End	L	mm	in.	mm	in.	mm	in.	mm	in.	mm	in.	mm	in.	mm	in.	mm	in.	
		90	3.54	90	3.54	104	4.09	120	4.72	150	5.91	150	5.91	180	7.09	210	8.26	
Dia. of Port	D	7	0.28	9	0.35	12	0.47	15	0.59	21	0.83	27	1.06	32	1.26	37.5	1.48	
Center to Top (Open)	H	Bolted Bonnet	-	-	56	2.2	62	2.4	72	2.8	92.5	3.6	92.5	3.6	111	4.4	-	-
		Welded Bonnet	-	-	61.5	2.4	68.5	2.7	72.5	2.9	83.5	3.3	83.5	3.3	100.5	4	-	-
Approx. Weight	Kg/Lb	1.5	3.3	1.5	3.3	2.5	5.5	4	8.8	6	13.2	9.5	20.9	15	33	14.5	31.9	

CLASS 1500 Piston Type RTJ Cover

Full Port - EN ISO 15761. RTJ Cover - Threaded and Socket Weld Ends

Full Port	Size	1/4"		3/8"		1/2"		3/4"		1"		1-1/4"		1-1/2"		2"	
End to End	L	mm	in.	mm	in.	mm	in.	mm	in.	mm	in.	mm	in.	mm	in.	mm	in.
		-	-	-	-	104	4.09	120	4.72	150	5.91	-	-	180	7.09	210	8.27
Dia. of Port	D	-	-	12	0.47	15	0.59	21	0.83	-	-	32	1.26	37.5	1.48		
Center to Top (Open)	H	-	-	100	3.93	130	5.11	145	5.7	-	-	160	6.29	195	7.67		
Approx. Weight	Kg/Lb	-	-	4	8.8	7.5	16.5	9	19.8	-	-	18.5	40.7	30	66		

Forged Steel Check Valve

Dimensions of Piston Valve

Class 1500 Y Pattern Welded Cover

Full Port - EN ISO 15761. Welded Cover - Threaded and Socket Weld Ends

Full Port	Size	1/4"		3/8"		1/2"		3/4"		1"		1-1/4"		1-1/2"		2"		
End to End	L	mm	in.	mm	in.	mm	in.	mm	in.	mm	in.	mm	in.	mm	in.	mm	in.	
		80	3.15	80	3.15	90	3.54	110	4.33	125	4.92	155	6.1	180	7.09	180	7.09	
Dia. of Port	D	7	0.27	9	0.35	12	0.47	15	0.59	21	0.83	27	1.06	32	1.26	39	1.53	
Center to Top (Open)	H	70	2.75	70	2.75	70	2.75	100	3.93	100	3.93	120	4.72	120	4.72	140	5.51	
Approx. Weight	Kg/Lb	1.5	3.3	1.5	3.3	1.5	3.3	3.2	7	3.2	7	6	13.2	6.2	13.6	9.5	20.9	

Class 2500 Piston Type Welded Cover

Full Port - B16.34. Welded Cover - Threaded and Socket Weld Ends

Full Port	Size	1/4"		3/8"		1/2"		3/4"		1"		1-1/4"		1-1/2"		2"		
End to End	L	mm	in.	mm	in.	mm	in.	mm	in.	mm	in.	mm	in.	mm	in.	mm	in.	
		-	-	-	-	127	5	155	6.1	170	6.69	-	-	235	9.25	235	9.25	
Dia. of Port	D	-	-	-	-	13	0.51	17	0.67	21	0.83	-	-	29.5	1.16	35	1.37	
Center to Top (Open)	H	-	-	-	-	80	3.14	98	3.85	110	4.33	-	-	170	6.69	170	6.69	
Approx. Weight	Kg/Lb	-	-	-	-	5	11	8	17.6	10	22	-	-	21.5	47.3	21.3	46.9	

Class 2500 Piston Type RTJ Cover

Full Port - B16.34. RTJ Cover - Threaded and Socket Weld Ends

Full Port	Size	1/4"		3/8"		1/2"		3/4"		1"		1-1/4"		1-1/2"		2"		
End to End	L	mm	in.	mm	in.	mm	in.	mm	in.	mm	in.	mm	in.	mm	in.	mm	in.	
		-	-	-	-	150	5.9	150	5.9	210	8.26	-	-	235	9.25	235	9.25	
Dia. of Port	D	-	-	-	-	13	0.51	17	0.67	21	0.83	-	-	29.5	1.16	35	1.37	
Center to Top (Open)	H	-	-	-	-	130	5.11	130	5.11	160	6.29	-	-	195	7.67	195	7.67	
Approx. Weight	Kg/Lb	-	-	-	-	7	15.4	7	15.4	17.5	38.5	-	-	29	63.8	29	63.8	

Class 2500 Y PATTERN Welded Cover

Full Port - B16.34. Welded Cover - Threaded and Socket Weld Ends

Full Port	Size	1/4"		3/8"		1/2"		3/4"		1"		1-1/4"		1-1/2"		2"		
End to End	L	mm	in.	mm	in.	mm	in.	mm	in.	mm	in.	mm	in.	mm	in.	mm	in.	
		127	5	127	5	127	5	127	5	127	5	155	6.1	155	6.1	180	7.08	225
Dia. of Port	D	7	0.27	9	0.35	11	0.43	15	0.59	19.5	0.76	27.5	1.08	31.5	1.24	39.5	1.55	
Center to Top (Open)	H	115	4.52	115	4.52	115	4.52	120	4.72	150	5.9	150	5.9	160	6.3	170	6.69	
Approx. Weight	Kg/Lb	3.2	7	3.2	7	3.5	7.7	6.2	13.6	5.6	13.6	5.6	13.6	10.4	22.9	14	30.8	

Forged Steel Check Valve

Dimensions of Piston Valve

Class 150-300-600 Bolted cover & Integral Flanged Ends

Regular Port - EN ISO 15761. Bolted Cover - Integral Flanged Ends according to ASME B 16.5

Regular Port	Size	1/2"		3/4"		1"		1-1/2"		2"		
		mm	in.	mm	in.	mm	in.	mm	in.	mm	in.	
End to End	Class 150	L	108	4.25	117	4.62	127	5	165	6.5	203	8
	Class 300	L	152	6	178	7	203	8	229	9	267	10.5
	Class 600	L	165	6.5	190	7.5	261	8.5	241	9.5	292	11.5
Dia. of Port	D	9.5	0.37	12.7	0.5	17.5	0.69	28.6	1.13	36.5	1.44	
Center to Top (Open)	H	42	1.65	47	1.85	56	2.2	68	2.68	87	3.43	
Approx. Weight	Class 150	Kg/Lb	2.5	5.5	3.3	7.3	4.3	9.5	9	19.8	13	28.6
	Class 300	Kg/Lb	3	6.6	3.8	8.4	5.2	11.5	10.5	23.1	15	33
	Class 600	Kg/Lb	3.5	7.7	4.5	9.9	6	13.2	12	26.4	17	37.4

End to End dimensions according to ASME B 16.10

Class 1500 RTJ Cover & Integral Flanged Ends

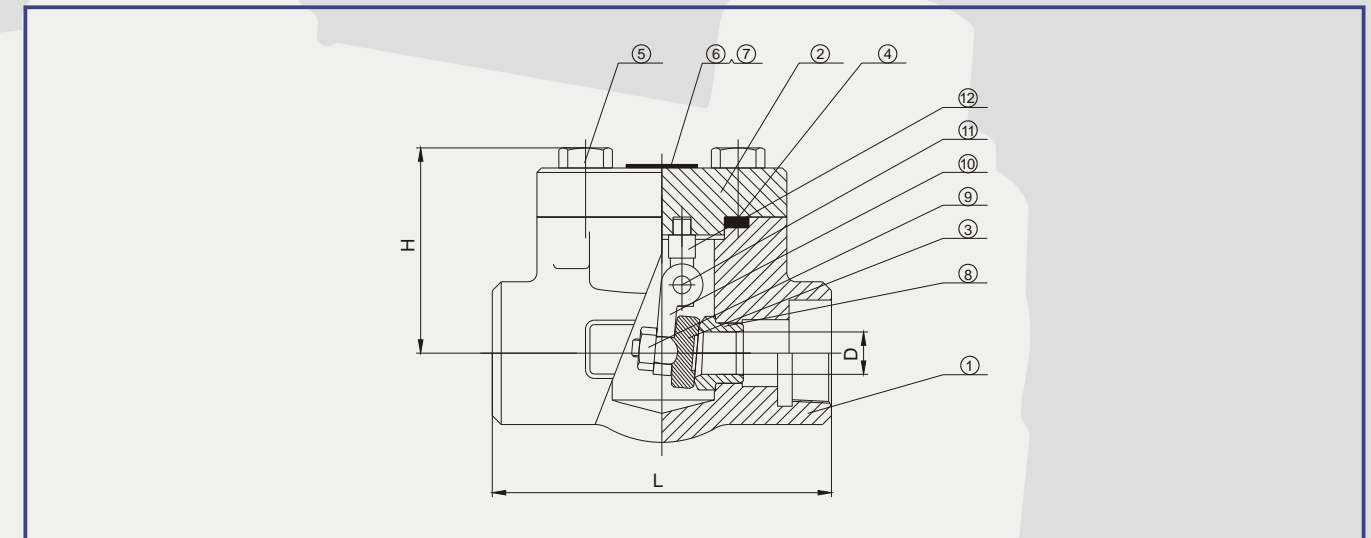
Full Port - EN ISO 15761. RTJ Cover - Integral Flanged Ends according to ASME B 16.5

Full Port	Size	1/2"		3/4"		1"		1-1/2"		2"	
		mm	in.	mm	in.	mm	in.	mm	in.	mm	in.
End to End	L	216	8.5	229	9	254	10	305	12	368	14.5
Dia. of Port	D	13	0.51	17	0.67	21	0.83	33	1.30	37.5	1.48
Center to Top (Open)	H	100	3.93	130	5.11	145	5.7	160	6.29	195	7.67
Approx. Weight	Kg/Lb	7	15.4	9	19.8	15	33	21	46.2	28	61.6

End to End dimensions according to ASME B 16.10

Forged Steel Check Valve

G.A. Drawing & Dimensions of Swing Check Valve



Bolted Cover

Material List

NO.	Description of Parts	Material		
		Standard	High Temperature	Stainless Steel
1	BODY	ASTM A105	ASTM A182-F11/F22	ASTM A182-F304/F316
2	BONNET	ASTM A105	ASTM A182-F11/F22	ASTM A182-F304/F316
3	DISC	ASTM A182-F6a	ASTM A182-F6a	ASTM A182-F304/F316
4	GASKET	304SS/SPIRAL WOUND GRAPHITE	304SS/SPIRAL WOUND GRAPHITE	304/316SS/SPIRAL WOUND GRAPHITE
5	STUD	ASTM A193-B7	ASTM A193-B16	ASTM A193-B8
6	RIVET	ASTM A276-304	ASTM A276-304	ASTM A276-304
7	NAME PLATE	ASTM A240-304	ASTM A240-304	ASTM A240-304
8	SEAT RING	ASTM A105/STL.OVERLAY	ASTM A276-410/STL OVERLAY	ASTM A182-F304/F316/STL OVERLAY
9	DISC NUT	ASTM A276-420	ASTM A276-420	ASTM A276-304/316
10	HINGE	ASTM A216-WCB	ASTM A217-WC6/WC9	ASTM A351-CF8/CF8M
11	HINGE PIN	ASTM A276-410	ASTM A276-410	ASTM A276-F304/316
12	SUPPORT	ASTM A105	ASTM A182-F11/F22	ASTM A182-F304/F316

Class 800 Swing Type Bolted Cover

Regular and Full Port - EN ISO 15761. Bolted Cover - Threaded and Socket Weld Ends

Regular Port	Size	3/8"		1/2"		3/4"		1"		1-1/4"		1-1/2"		2"		-	
		mm	in.	mm	in.	mm	in.	mm	in.	mm	in.	mm	in.				
Full Port	Size	1/4"		3/8"		1/2"		3/4"		1"		1-1/4"		1-1/2"		2"	
End to End	L	76	2.99	76	2.99	86	3.39	102	4.02	118	4.65	118	4.65	132	5.2	178	7.01
Dia. of Port	D	6.4	0.25	9.5	0.37	12.7	0.5	17.5	0.69	23.8	0.94	28.6	1.13	36.5	1.44	44.5	1.75
Center to Top (Open)	H	42	1.65	42	1.65	46	1.81	59	2.32	78	3.07	78	3.07	90	3.54	100	3.94
Approx. Weight	Kg/Lb	1	2.2	1	2.2	1.5	3.3	2.5	5.5	4	8.8	4	8.8	7.5	16.5	11	24.2

Welded Bonnet

The standard type of Neway welded bonnet valves is threaded-in and seat-welded bonnet (see Fig.1), or optional full penetration welding. (see Fig. 2)

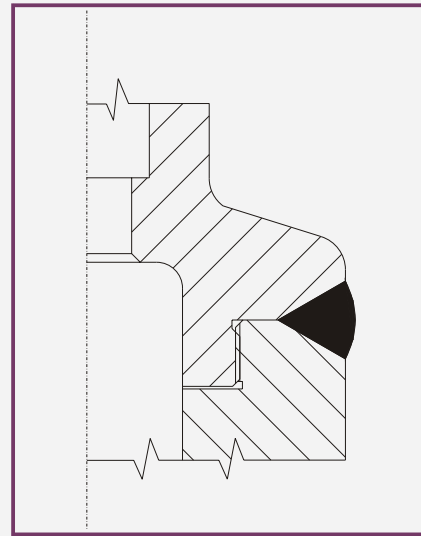


Fig.1

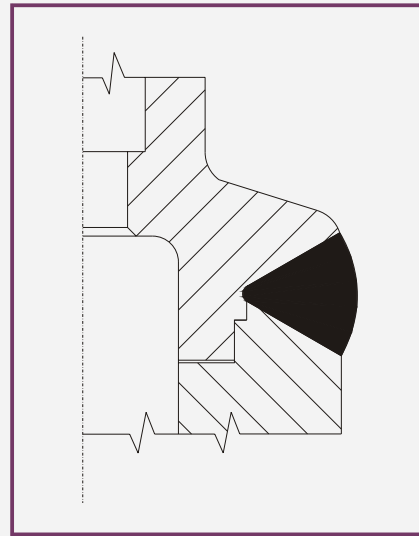


Fig.2

Gland Bolt

For Neway forged steel gate and globe valve, the gland bolts are supplied in the standard type of studs design (see Fig.3). Hexagon nuts are used for both cases, Fig.4 show the traditional hinged eyebolts.

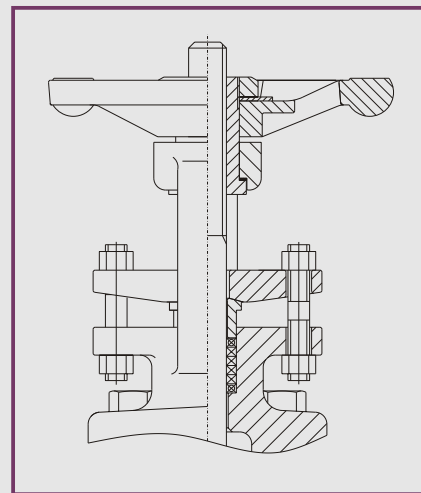


Fig.3

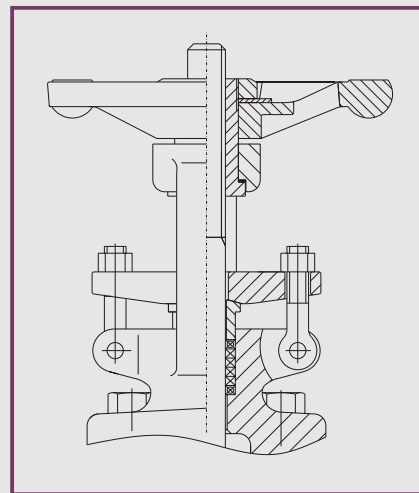


Fig.4

Bolted Bonnet

For ANSI Class 1500 & 2500, RTJ bonnet joints is the standard design (see Fig.5), but for ANSI Class 1500 can also be supplied with optional male to female bonnet joints design. (see Fig.6)

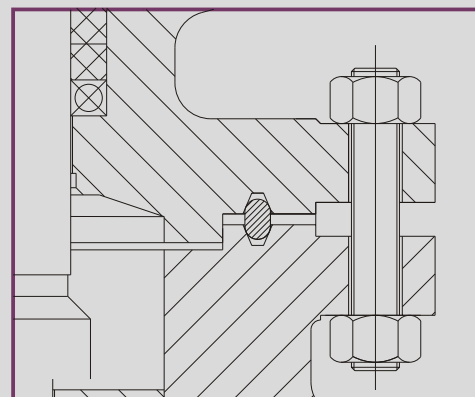


Fig.5

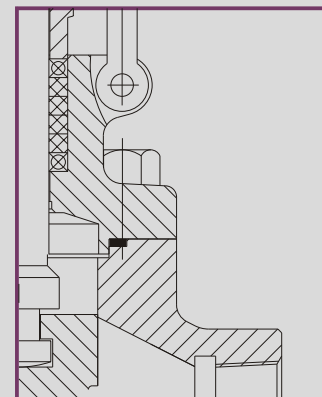


Fig.6

Seller will replace without charge or refund the purchase price of products provided by Seller which prove to be defective in material or workmanship, provided in each case that the product is properly installed and is used in the service for which Seller recommends it and that written claim, specifying the alleged defect, is presented to the Seller within 18 months from the date of shipment or 12 months after installation, whichever occurs first. Seller shall in no event bear any labor, equipment, engineering or other costs incurred in connection with repair or replacement. The warranty stated in this paragraph is in lieu of all other warranties, either expressed or implied. With respect to warranties, this paragraph states Buyer's exclusive remedy and seller's exclusive liability.