

# Three Pieces Ball Valves

## 1000 WOG (63 bar)

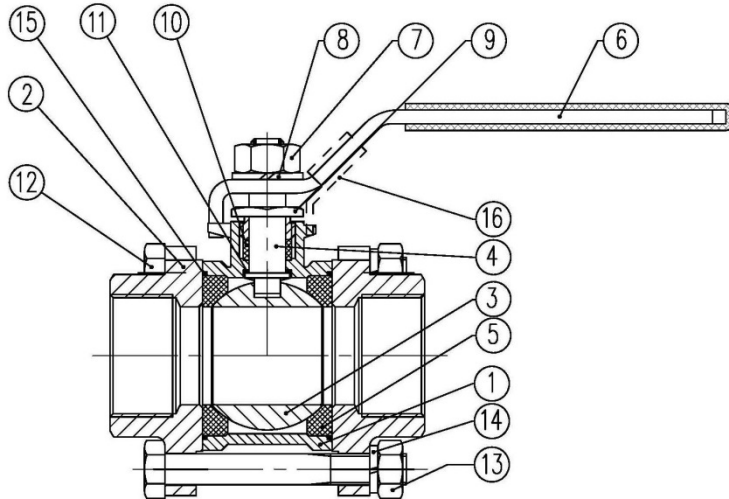
### Size 1/4" – 4" (DN 10 -100) Stainless Steel



**Fig. 141**  
**FULL BORE**  
 Threaded according:  
**ASME B1.20.1 (NPT)**

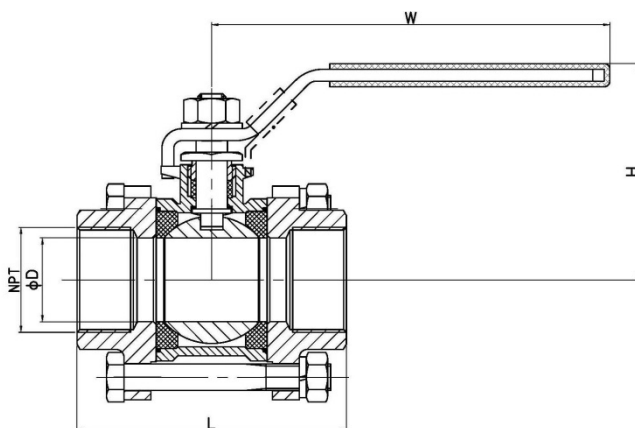


### Parts and materials



Item	Description	Material
1	Body	AISI 316
2	Body connector	AISI 316
3	Ball	AISI 316
4	Stem	AISI 316
5	Seat ring	PTFE
6	Wrench	AISI 304
7	Wrench Nut	AISI 304
8	Wrench Washer	AISI 304
9	Gland	AISI 304
10	Gland packing	PTFE
11	Stem thrust seal	PTFE
12	Bolt	AISI 304
13	Nut	AISI 304
14	Washer	AISI 304
15	Seat Gasket	PTFE
16	Lock Device	AISI 304

### Dimensions



SIZE	NPS	ØD	L	W	H	WEIGHT
¼" (DN 10)	¼"	12	50	103	48	0,31
⅜" (DN 12)	⅜"	12	50	103	48	0,35
½" (DN 15)	½"	15	60	103	52	0,41
¾" (DN 20)	¾"	20	70	123	61	0,7
1" (DN 25)	1"	25	80	123	65	1,2
1¼" (DN 32)	1¼"	32	93	153	79	2
1½" (DN 40)	1½"	38	100	153	83	2,5
2" (DN 50)	2"	50	125	185	97	3,7
2½" (DN 65)	2½"	64	158	243	135	7,4
3" (DN 80)	3"	76	179	243	144	12,8
4" (DN 100)	4"	94	223	315	172	23

(\*) Dimensions in mm and weight in kg.

#### Note:

Dimensions not subject to International Standards can vary in  $\pm 10\%$ . ICP reserves the right to change those dimensions without notice, due to they do not affect integrity and performance of the valves.

### Torque Values in Nm

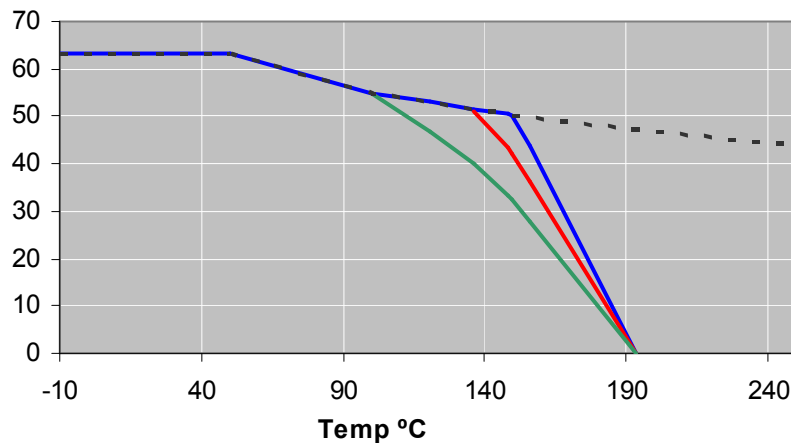
VALVE SIZE	AT DIFFERENTIAL PRESSURE		VALVE SIZE	AT DIFFERENTIAL PRESSURE	
	63 bar			63 bar	
1/4" (DN 10)	5,6		1 1/2" (DN 40)	24,9	
3/8" (DN 12)	5,6		2" (DN 50)	45,2	
1/2" (DN 15)	9		2 1/2" (DN 65)	73,2	
3/4" (DN 20)	11,3		3" (DN 80)	128,8	
1" (DN 25)	14,7		4" (DN 100)	165,4	
1 1/4" (DN 32)	19,2				

### Kv Values in m<sup>3</sup>/h

VALVE SIZE	Kv	VALVE SIZE	Kv
1/4" (DN 10)	6,6	1 1/2" (DN 40)	80,0
3/8" (DN 12)	6,6	2" (DN 50)	150,0
1/2" (DN 15)	11,2	2 1/2" (DN 65)	265,0
3/4" (DN 20)	21,0	3" (DN 80)	415,0
1" (DN 25)	34,0	4" (DN 100)	780,0
1 1/4" (DN 32)	57,0		

### Pressure-Temperature

P Bar



PTFE SEATS

- 1/4" - 1"
- 1 1/4" - 1 1/2"
- 2" - 4"