



## Two Pieces Ball Valves

1000 WOG (63 bar)

Size 1/4" – 4" (DN 10 - 100 ) Stainless Steel



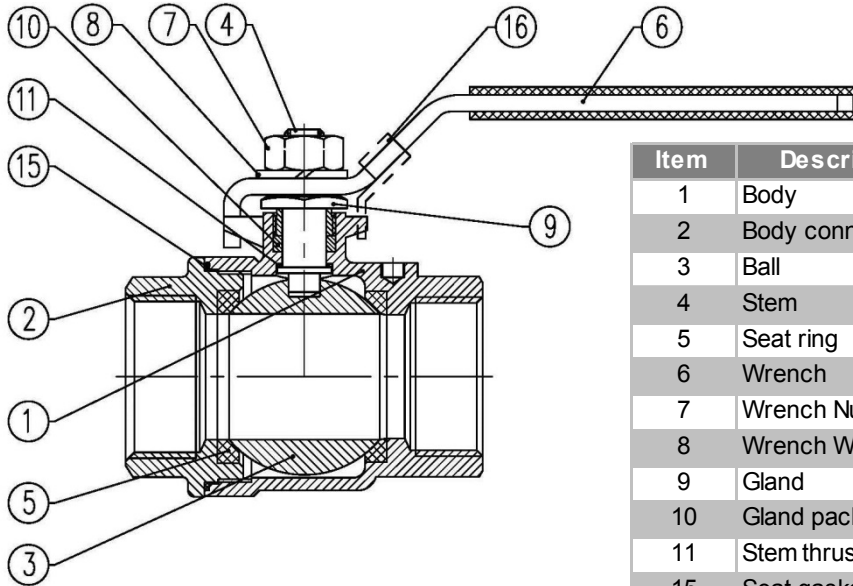
# Serie 2001

# FULL BORE

Threaded according:  
ASME B1.20.1 (NPT)

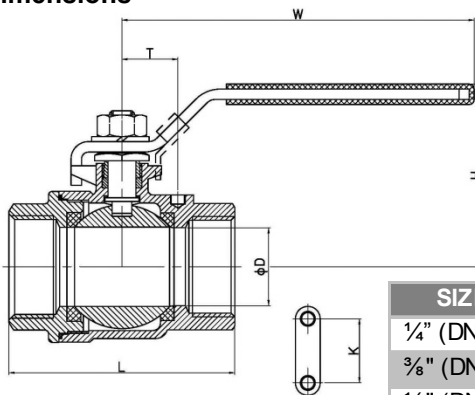


#### Parts and materials



Item	Description	Material
1	Body	AISI 316
2	Body connector	AISI 316
3	Ball	AISI 316
4	Stem	AISI 316
5	Seat ring	PTFE
6	Wrench	AISI 304
7	Wrench Nut	AISI 304
8	Wrench Washer	AISI 304
9	Gland	AISI 304
10	Gland packing	PTFE
11	Stem thrust seal	PTFE
15	Seat gasket	PTFE
16	Lock device	AISI 304

#### Dimensions



SIZE	NPS	ØD	L	W	K	S	T	H	WEIGHT
¼" (DN 10)	¼"	11,6	50	91	28,5	19	12,5	48	0,195
⅜" (DN 12)	⅜"	12,5	50	91	28,5	21	12,5	48	0,205
½" (DN 15)	½"	15	58	103	28,5	25,5	13	52	0,29
¾" (DN 20)	¾"	20	65	111	34,8	31	21	61	0,44
1" (DN 25)	1"	25	80	126	34,8	37,5	22,5	65	0,615
1¼" (DN 32)	1¼"	32	92	154	38,1	46,5	23,5	79	1,08
1½" (DN 40)	1½"	38	105	154	38,1	53,5	23,5	83	1,49
2" (DN 50)	2"	50	125	191	38,1	66	23,5	97	2,56
2½" (DN 65)	2½"	64	155,6	244	56	84	32	129	5,04
3" (DN 80)	3"	76	183	244	56	99	35	138	8,15
4" (DN 100)	4"	94	240	315	63	130	50	175	18,4

**Note:**

(\*) Dimensions in mm and weight in kg.

 Dimensions not subject to International Standards can vary in  $\pm 10\%$ . ICP reserves the right to change those dimensions without notice, due to they do not affect integrity and performance of the valves.

**ICP VALVES S.A.**

E-Mail: sales@icp-valves.com

Internet: www.icp-valves.com

Authorized Distributor



#### Torque Values in Nm

VALVE SIZE	AT DIFFERENTIAL PRESSURE 63 bar	VALVE SIZE	AT DIFFERENTIAL PRESSURE 63 bar
1/4" (DN 10)	4	1 1/4" (DN 32)	14
3/8" (DN 12)	4	1 1/2" (DN 40)	25
1/2" (DN 15)	5	2" (DN 50)	30
3/4" (DN 20)	8	2 1/2" (DN 65)	36
1" (DN 25)	10	3" (DN 80)	60
		4" (DN 100)	95

#### Kv Values in m<sup>3</sup>/h

VALVE SIZE	Kv	VALVE SIZE	Kv
1/4" (DN 10)	10,0	1 1/4" (DN 32)	190,0
3/8" (DN 12)	12,0	1 1/2" (DN 40)	275,0
1/2" (DN 15)	38,0	2" (DN 50)	480,0
3/4" (DN 20)	66,0	2 1/2" (DN 65)	797,0
1" (DN 25)	105,0	3" (DN 80)	1210,0
		4" (DN 100)	1300,0

#### Pressure-Temperature

